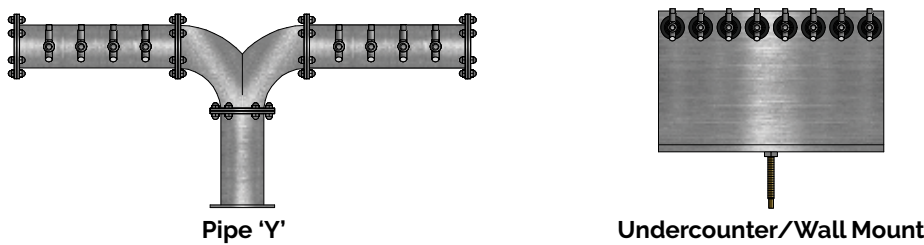
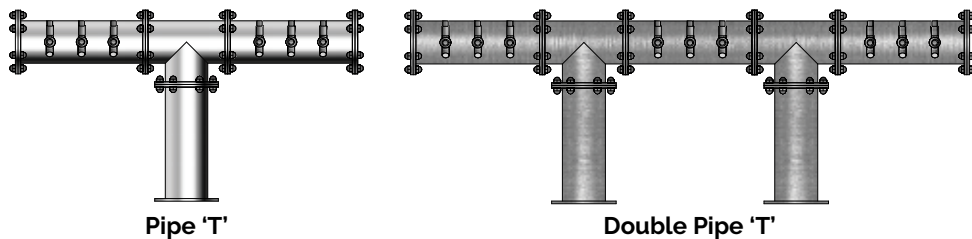
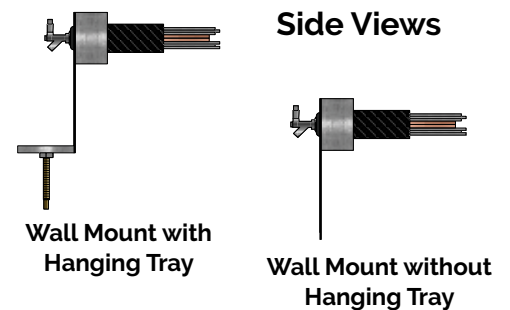
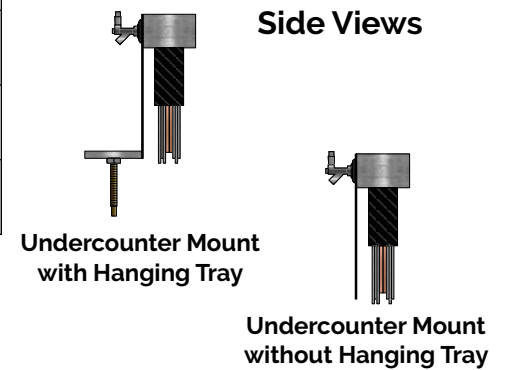
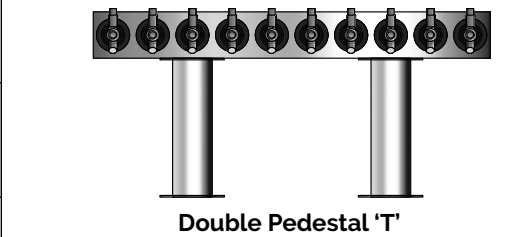
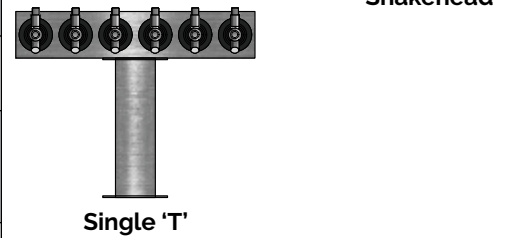
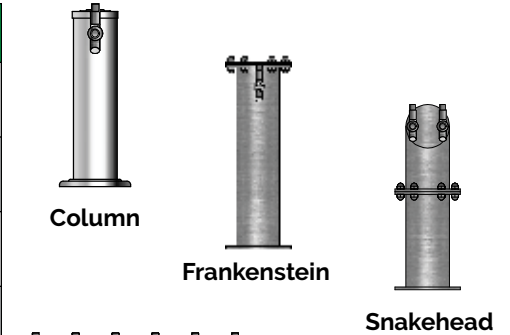


Beer Systems

STAINLESS STEEL TOWERS

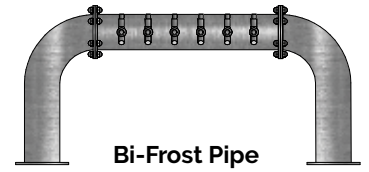
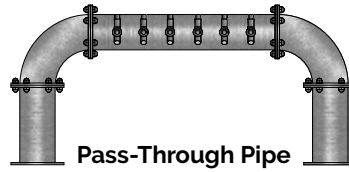
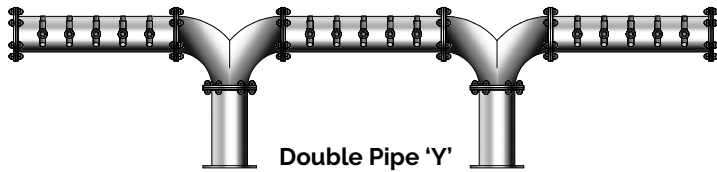
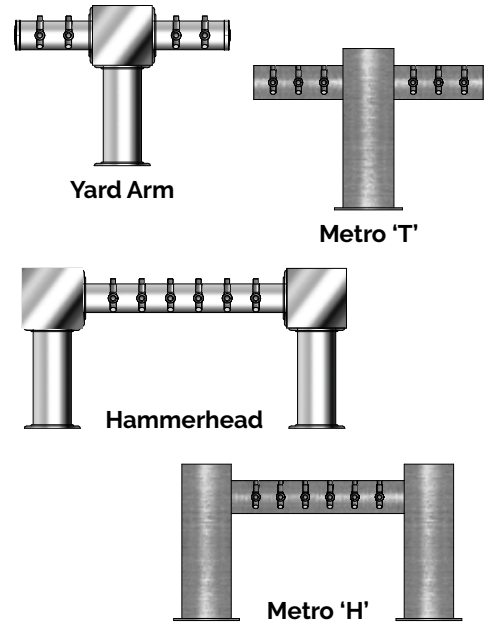
Tower Design	Faucet Options	Brushed	Polished
Column	1-2-3		X
Frankenstein	1-2-3	X	X
Snakehead	1-2-3	X	X
Single 'T'	3-4-5-6-8	X	X
Double Pedestal 'T'	6-8-10-12-16-20-30	X	X
Undercounter Mount with Hanging Tray	4-6-8-10-12-16	X	
Undercounter Mount without Hanging Tray	4-6-8-10-12-16	X	
Wall Mount with Hanging Tray	4-6-8-10-12-16	X	
Wall Mount without Hanging Tray	4-6-8-10-12-16	X	
Pipe 'T'	4-6-8-10-12	X	X
Double Pipe 'T'	12-15-18-21	X	X
Pipe 'Y'	4-6-8-10-12	X	X



Beer Systems

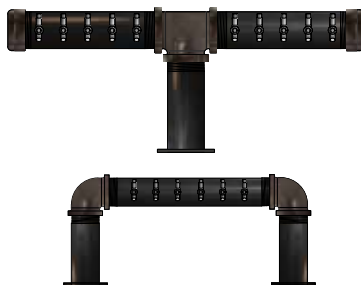
STAINLESS STEEL TOWERS (continued)

Tower Design	Faucet Options	Brushed	Polished
Double Pipe 'Y'	12-15-18	X	X
Pass-Through Pipe	6-8-10-12-14-16-20	X	X
Bi-Frost Pipe	6-8-10-12-16-20	X	
Yard Arm	4-6-8-10-12		X
Hammerhead	6-8-10-20	X	X
Metro 'T'	6-8-10-12-14-16	X	
Metro 'H'	6-8-10-12-14-16	X	X



BLACK IRON TOWERS*

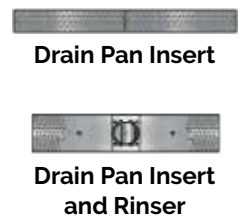
Tower Design	Faucet Options
Pipe 'T'	4-6-8-10-12
Pass-Through Pipe	6-8-10-12-14-16-24



* Black iron subject to rusting.

STAINLESS STEEL DRAIN PANS

Insert Only (inches)		Insert/Rinser (inches)	
6x15	6x80	6x15	6x80
6x21	6x92	6x21	6x92
6x26	8x20	6x26	8x20
6x32	8x40	6x32	8x40
6x40	8x60	6x40	8x60
6x52	6x92	6x52	6x92
6x64		6x64	



BEVERAGE TRUNK LINE

Product/Glycol			
2/2*	4/2*	6/2	8/2
10/2	10/4	12/4	16/4



* Beer line and wine line.

NITROGEN GENERATOR

MilCarb MC-N26C: unlimited, on-demand N₂.

The N₂U uses advanced fiber membrane air separation technology to set the standard for purity, reliability and cost efficiency. Purchase or rent from us; see page 29 for details.



Beer Systems

POWER PACKS

HP	Pumps	Unit No.	Line Run Maximum
1/3	Single	42853	95ft
1/2	Single	42849	135ft
1/2	Dual	42850	150ft
1/2	Dual	41861	250ft
3/4	Single	42856	280ft
3/4	Dual	42854	300ft
3/4	Triple	46403	280ft
1	Single	42845	400ft
1	Dual	42846	400ft
1	Triple	48657	400ft
1	Quad	48657-4	400ft
Varies	Varies	NBS110-M Split System	Varies

Placement Parts

Description	Unit No.
Floor Stand (1-Pump)	42864
Floor Stand (2-Pump)	42865
Stand Legs	57782
Wall Mount	WB08
Wall Mount	440855
2-Tier Rack	C21499BSS



BEER SYSTEM PARTS

Product	Product No.
Beer Installation Kit for Profit Guard	40568
Beer Installation Kit w/o Profit Guard	40588
Profit Guard	40591
Keg Coupler (Stainless Steel)	C703
Beer 'Y' with Shutoff	40561
R210 Tubing, 3/8in	44345
Air Line Tubing, 5/16in	44352
Glycol Line Assembly, 12in	47788
Glycol Line Assembly, 30in	49196
Glycol Kit, 10/2 Line	47273
Glycol Kit, all others	40567
Glycol, 1gal bottle	42564
CO2 Primary Regulator (2000/160)	40476
CO2 Secondary Regulator (0-60sec)	40474
N2 Regulator (0-200sec)	40586
Double Regulator (0-60sec)	51474
Carbonator Motor, 1/2HP dual	5U258
Carbonator Motor, 1/3HP dual	45257
Beer Pump	45602
Beer Pump, Low Flow Brass	40417
Beer Pump, 1300	40432

MCDANTIM BLENDEERS AND ACCESSORIES

Unit	Single Blend	Twin Blend	Check Valve 'T' 1/4in	Leak Indicator Single	Leak Indicator Double
Unit No.	44330	44332	44952	46139	46035



Rent a Beer Gas System from us, and we take care of all setup, calibrations and leak repair.